



KOVOSVIT MAS
machine your future



MCV 800 quick

Vertical machining center

www.kovosvit.cz

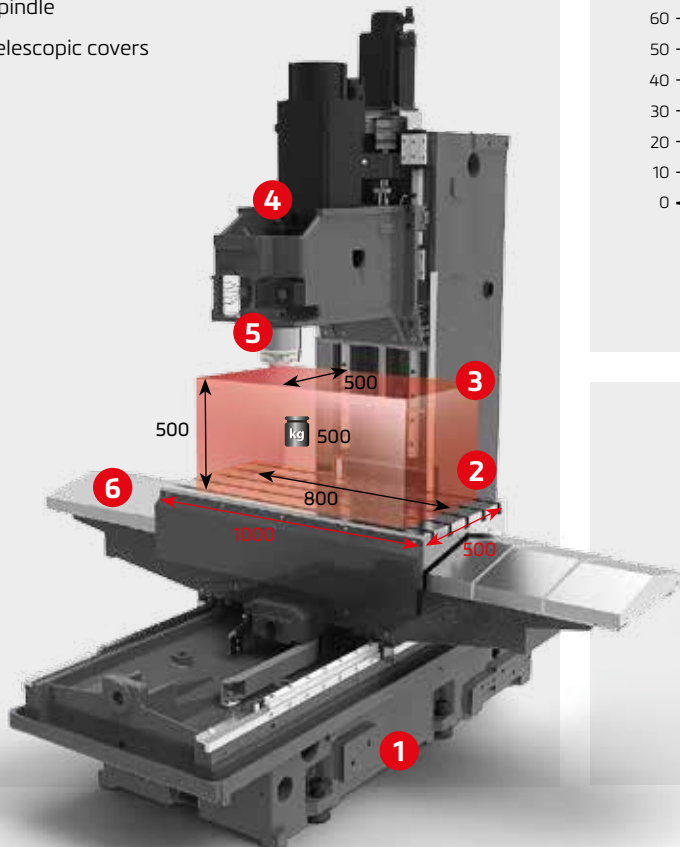
Main features of the machine

- Linear rolling guides with direct measuring of all axes
- Increased starting of X axis = 800 mm
- Small built-up machine area, improved ergonomics
⇒ lower spatial requirements
- Innovation of kinematic configuration of cross-table
⇒ Increased static rigidity of load-bearing structure
- New developed machine variant with worm chip conveyor ⇒ compactness (machine length decreased by 1200 mm as compared to link conveyor)
- Increased number of clamping grooves on the table
- Heidenhain TNC620, Siemens 828D control system
- Innovated spindle ⇒ Decreased noise level, maximum revolutions increased to 12 000 min⁻¹



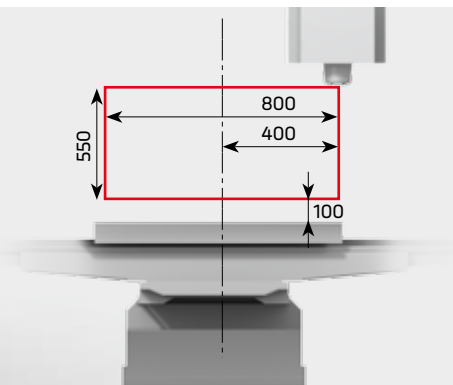
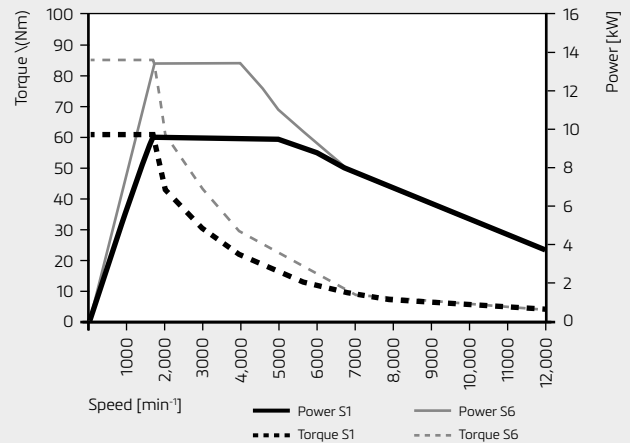
Working space

- 1 | Machine frame
- 2 | Table clamping area
- 3 | Stand
- 4 | Spindle head
- 5 | Spindle
- 6 | Telescopic covers



Spindle

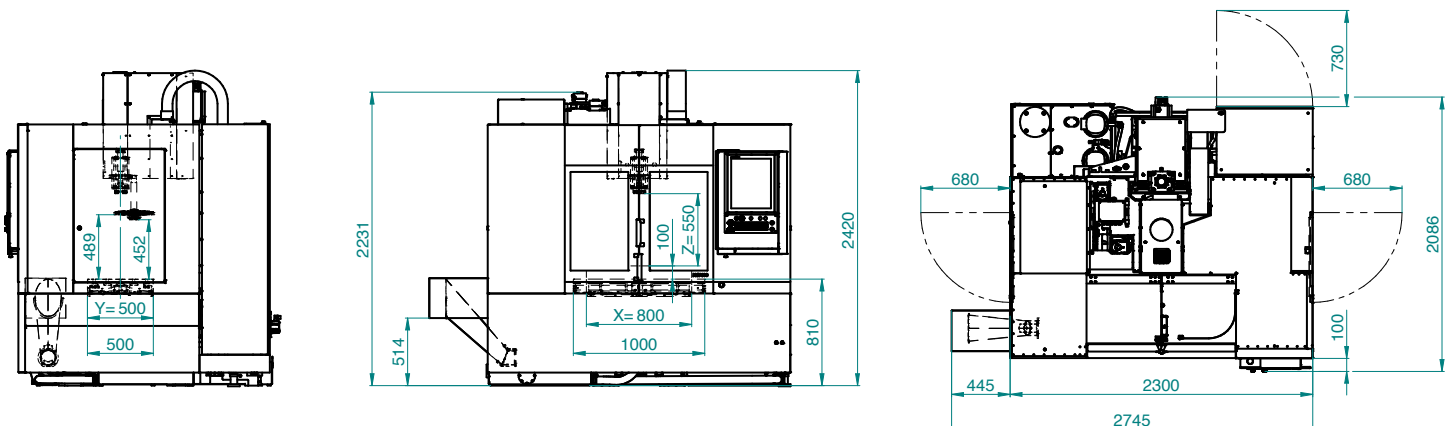
QUICK – 12 000 min⁻¹



Technical specifications

			MCV 800	
Main dimensions	Table clamping surface	mm	1000 × 500	
	Number of table T-slots	pcs	5	
	Table T-slots width and spacing	mm	18 / 100	
	Largest table track length (X)	mm	800	
	Largest slide track length (Y)	mm	500	
	Largest spindle track length (Z)	mm	550	
	Maximum workpiece weight (table load)	kg	500	
	Max. workpiece dimension for max. tool length	mm	800 × 500 × 300	
Maximum drilling diameters (motor 10 kW)	Drilling full diameter to steel of strength 600 MPa with drill bit from RO	mm	25	
	Drilling full diameter to steel of strength 600 MPa with drill bit mm	mm	30	
	Thread diameter with cutting to steel with strength 600 MPa	mm	M20	
Spindle	Spindle taper		ISO 40	
	Distance from spindle nose to table clamping surface	mm	100 - 650	
	Maximum speed	min ⁻¹	12,000	
	Spindle motor power (S1/S6 - 40%)	kW	10 / 14	
	Spindle motor torque (S1/S6 - 40%)	Nm	63 / 88	
	Speed change		Continuously variable	
	Tool clamping force	N	18,000	
Accuracy	Measuring system X, Y, Z	Heidenhain	Direct	
		Siemens		
Feed rate	Rapid feed	mm.min ⁻¹	30,000	
	Working feed	mm.min ⁻¹	15,000	
	Ball screw X, Y, Z	Diameter	mm	32
		Pitch	mm/rpm	10
Pneumatic equipment	Max. tank capacity	l	200 + 80	
	Working pressure	MPa	0.6	
	Air consumption	m ³ /hour	3-4	
Machine dimensions	Length	mm	2086	
	Width	mm	2745	
	Height	mm	2420	
	Weight	kg	4,000	
Connection of the machine	Max. total machine input	kVA	20	
	Number of positions – left magazine	pcs	24	
Tool magazine	Max. tool diameter	All positions occupied	80	
		Neighbouring position skipping	120	
	Max. tool length	mm	250	
	Max. tool weight	kg	6.5	
	Max. tool weight in the magazine	kg	65	
	Change time of adjacent tool (tool – tool)	s	3.8	

Machine dimensions





KOVOSVIT MAS
machine your future

KOVOSVIT MAS, a.s.

náměstí Tomáše Bati 419, 391 02 Sezimovo Ústí
Czech Republic

T: +420 381 632 202

F: +420 381 633 570

E: sale_cz@kovosvit.cz

MAS service center: +420 381 74 74 74